

ශ්‍රී ලංකා විභාග දෙපාර්තමේන්තුව ශ්‍රී ලංකා විභාග දෙපාර්තමේන්තුව ශ්‍රී ලංකා විභාග දෙපාර්තමේන්තුව ශ්‍රී ලංකා විභාග දෙපාර්තමේන්තුව ශ්‍රී ලංකා විභාග දෙපාර්තමේන්තුව
 இலங்கைப் பரீட்சைத் திணைக்களம் இலங்கைப் பரීட்சைத் திணைக்களம் இலங்கைப் பரීட்சைத் திணைக்களம் இலங்கைப் பரීட்சைத் திணைக்களம் இலங்கைப் பரීட்சைத் திணைக்களம்
 Department of Examinations, Sri Lanka Department of Examinations, Sri Lanka Department of Examinations, Sri Lanka Department of Examinations, Sri Lanka Department of Examinations, Sri Lanka
 ශ්‍රී ලංකා විභාග දෙපාර්තමේන්තුව ශ්‍රී ලංකා විභාග දෙපාර්තමේන්තුව ශ්‍රී ලංකා විභාග දෙපාර්තමේන්තුව ශ්‍රී ලංකා විභාග දෙපාර්තමේන්තුව ශ්‍රී ලංකා විභාග දෙපාර්තමේන්තුව
 இலங்கைப் பரීட்சைத் திணைக்களம் இலங்கைப் பரීட்சைத் திணைக்களம் இலங்கைப் பரීட்சைத் திணைக்களம் இலங்கைப் பரීட்சைத் திணைக்களம் இலங்கைப் பரීட்சைத் திணைக்களம்

අධ්‍යයන පොදු සහතික පත්‍ර (උසස් පෙළ) විභාග, 2016 අගෝස්තු
கல்விப் பொதுத் தராதரப் பத்திர (உயர் தர)ப் பரீட்சை, 2016 ஆகஸ்ட்
General Certificate of Education (Adv. Level) Examination, August 2016

තොරතුරු හා සන්නිවේදන තාක්ෂණය I
 தகவல், தொடர்பாடல் தொழினுட்பவியல் I
Information & Communication Technology I

20 E I

පැය දෙකයි
 இரண்டு மணித்தியாலம்
Two hours

Instructions:

- * Answer all the questions.
- * Write your **Index Number** in the space provided in the answer sheet.
- * Instructions are also given on the back of the answer sheet. Follow those carefully.
- * In each of the questions 1 to 50, pick one of the alternatives from (1), (2), (3), (4), (5) which is **correct or most appropriate** and **mark your response on the answer sheet with a cross (x)** in accordance with the instructions given on the back of the answer sheet.
- * Use of calculators is **not allowed**.

1. Which of the following statements is true?
 - (1) The first generation of computers were built using transistors.
 - (2) Electronic Numerical Integrator And Computer (ENIAC) is a second generation computer.
 - (3) Ada Lovelace is the inventor of the Analytical Engine.
 - (4) Alan Turing is considered as the first computer programmer.
 - (5) The first calculating device is believed to be the Abacus.
2. Which of the followings is a component of a Central Processing Unit (CPU)?
 - (1) ROM
 - (2) RAM
 - (3) ALU
 - (4) L3 Cache memory
 - (5) Power supply unit
3. Which of the following binary numbers is equivalent to 109_{10} ?
 - (1) 1100100_2
 - (2) 1101101_2
 - (3) 1001101_2
 - (4) 1101001_2
 - (5) 1101100_2
4. Consider the following description/definition list, rendered by a web browser:

Zigzag
 Moving with sharp turns.
 Back and forth
 Moving side to side.
 Round and round
 Moving in a circle.

 Which of the following answers contains all the HTML tags required to create the above list?
 - (1) `<dl>`, `<dt>` only
 - (2) ``, `` only
 - (3) ``, `` only
 - (4) `<dl>`, `` only
 - (5) `<dl>`, `<dt>`, `<dd>` only
5. The content stored in is read by using the optical technology.
 Which of the following answers is the most appropriate to fill the blank in the above statement?
 - (1) flash memory
 - (2) floppy disk
 - (3) magnetic tape
 - (4) compact disc
 - (5) hard disk
6. In modern computers, multiple levels of cache memory is used to optimize the performance. Among them, the cache which is on/in is the fastest and most expensive cache memory.
 Which of the following terms are correct to fill the blanks respectively in the above statement?
 - (1) Level 1 (L1), main memory
 - (2) Level 3 (L3), motherboard
 - (3) Level 1 (L1), microprocessor
 - (4) Level 2 (L2), microprocessor
 - (5) Level 3 (L3), microprocessor
7. $101_{16} + 110_8 =$
 - (1) 429_{10}
 - (2) 1011_{10}
 - (3) 329_{10}
 - (4) 529_{10}
 - (5) 137_{10}

8. In an operating system, suspending the currently executing process and then resuming or starting another process is termed as
- (1) paging. (2) context switching. (3) swapping.
(4) interrupting. (5) blocking.

9. In modern operating systems, the scheduler determines the transition of processes from the new state to the ready state.

Which of the followings is the correct term to fill the blank in the above statement?

- (1) mid-term (2) long-term (3) very long-term
(4) very short-term (5) short-term

10. Consider the following statements:

A - Plagiarism is a common threat to information systems.

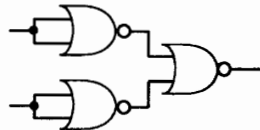
B - Plagiarism means claiming someone else's creation as one's own.

C - Piracy is a synonym for plagiarism.

Which of the above statements is/are correct?

- (1) A only (2) B only (3) C only (4) A and B only (5) B and C only

11. Consider the following logic circuit implemented using universal gates:



The above circuit is equivalent to a/an

- (1) NOT Gate. (2) AND Gate. (3) OR Gate. (4) NAND Gate. (5) NOR Gate.

12. "An analog signal is sampled at regular intervals and represented as 16 bit values."

Which of the followings is best described by the above statement?

- (1) Amplitude Modulation (AM) (2) Frequency Modulation (FM)
(3) Pulse Code Modulation (PCM) (4) Phase Modulation (PM)
(5) Pulse Width Modulation (PWM)

13. Two machines with the IP addresses 192.248.16.30 and 192.248.16.90 are connected to a Local Area Network (LAN). Which of the followings is a suitable subnet mask for this network?

- (1) 192.255.255.255 (2) 192.248.16.0 (3) 255.255.255.224
(4) 255.255.255.128 (5) 255.255.255.255

14. Which of the followings is true about e-commerce?

- (1) It could be a part of e-business.
(2) It helps to combine multiple business processes into a single information system.
(3) It is a collection of platforms created for business and their customers to interact.
(4) www.google.com is a popular e-commerce web site.
(5) There are no Sri Lankan companies doing e-commerce yet.

15. Consider the following statements:

A - HTML forms can be used to submit data.

B - HTML forms can be used to retrieve data.

C - HTML forms can be placed inside another form.

Which of the above statements is/are correct?

- (1) A only (2) B only (3) C only (4) A and B only (5) B and C only

16. A/An is an image with clickable sub-areas.

Which of the followings is the most appropriate to fill the blank in the above statement?

- (1) Image button (2) Image map (3) Anchor
(4) Icon (5) Thumbnail

17. Which of the following is a valid CSS rule?

- (1) p { color: red;} (2) p { color = red;} (3) p { text-color: "red";}
(4) p { text-color = red;} (5) p { text-color: red;}

18. Which of the following is a correct IPv4 address?
(1) 192.248.0.0.1 (2) 192.258.2.1 (3) 8.8.8.8
(4) 10.256.8.9 (5) 255.255.255.268
19. User Datagram Protocol (UDP) is a layer protocol.
Which of the following layers is the most suitable to fill the blank in the above statement?
(1) physical (2) data link (3) network (4) transport (5) application
20. Consider the following statements regarding routing in IP networks:
A - All routers must use a DNS server for IP packet forwarding.
B - Routers must forward all receiving IP packets along the same path.
C - A router may discard an IP packet.
Which of the above statements is/are correct?
(1) A only (2) B only (3) C only
(4) A and B only (5) B and C only
21. Consider the following system implementation methods:
A - Direct B - Phase C - Parallel
Which of the above methods can be recommended to implement an emergency call handling system?
(1) A only (2) B only (3) C only (4) A and B only (5) A and C only
22. In a public key cryptographic system, the private key of a person x is given by the function $\text{priv}(x)$ and the public key is given by the function $\text{pub}(x)$.
Consider the following statements:
A - $\text{priv}(x)$ and $\text{pub}(x)$ should be the same for better security.
B - A message encrypted using $\text{pub}(x)$ can be decrypted using $\text{pub}(x)$.
C - The person x knows both $\text{priv}(x)$ and $\text{pub}(x)$.
Which of the above statements is/are correct?
(1) A only (2) C only (3) A and B only
(4) A and C only (5) B and C only
23. Local Area Network (LAN) has 500 network devices. What is the most appropriate subnet mask for this computer network?
(1) 255.255.255.0 (2) 255.255.255.128 (3) 255.255.255.192
(4) 255.255.255.224 (5) 255.255.254.0
24. Consider the following statements about compilers and interpreters used in programming languages:
A - Compilers/interpreters are not required to execute a program written in assembly language.
B - Compilers are not essential to execute a program in machine code.
C - An executable program is translated into a source program by a compiler.
Which of the above statements is/are correct?
(1) A only (2) B only (3) C only
(4) A and B only (5) B and C only
25. A web browser running on a client computer A renders a web page in a web server running on a computer B. Which of the following is **not** a factor that affects the speed of rendering?
(1) Size of images in the web page (2) Number of colours in the web page
(3) Speed of the client computer (4) Efficiency of the web browser software
(5) Number of users in the network
26. Consider the following statements about Dynamic Random Access Memory (DRAM):
A - Periodic refreshing is required for DRAM.
B - Registers in the processor are made of DRAMs.
C - Memory density of DRAM is higher than that of static RAM.
Which of the above statements is/are correct?
(1) A only (2) B only (3) A and B only
(4) A and C only (5) B and C only
27. "Employees of modern organizations perform their duties from home." Which of the followings best describes the above statement?
(1) Social networking (2) Telecommuting (3) Instant messaging
(4) Office automation (5) Blogging

28. Consider the following statements about flowcharts:

A - A flowchart is a pictorial representation of an algorithm.

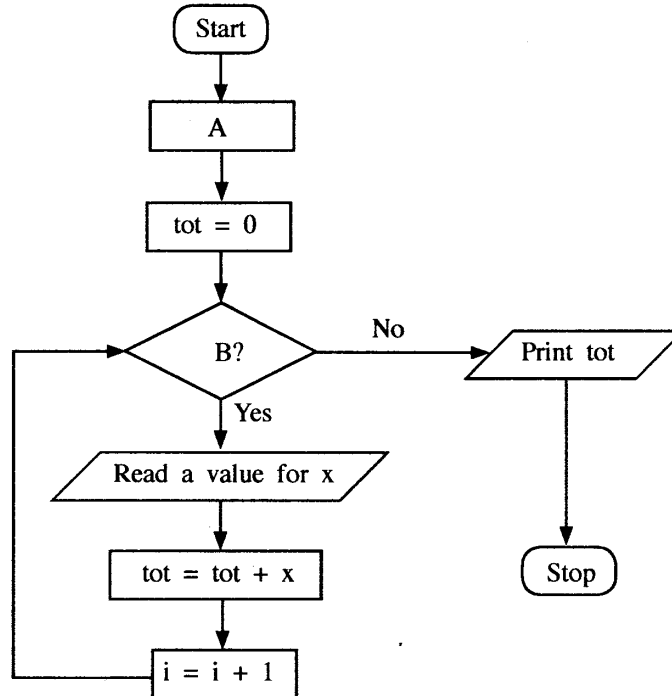
B - A flowchart may have more than one 'stop' or 'end' termination symbols.

C - Algorithms can be represented only by using flowcharts.

Which of the above statements is/are correct?

- (1) A only (2) B only (3) C only (4) A and B only (5) B and C only

29. The algorithm represented by the following flowchart reads 5 numbers and prints the sum of them.



In order to execute the above flowchart correctly, A and B should be replaced by respectively.

Which of the followings is suitable to fill the blank in the above statement?

- (1) $i = 0$ and $i \leq 5$ (2) $i = 1$ and $i = 5$ (3) $i = 0$ and $i > 5$
 (4) $i = 1$ and $i \leq 5$ (5) $i = 1$ and $i \geq 5$

30. Which of the following Python programs computes the sum of five given integers?

- (1) `i = 1`
`tot = 0`
`while i > 5:`
`x = int(input())`
`tot = tot + x`
`i = i + 1`
`print(tot)`
- (2) `i = 1`
`tot = 0`
`while i <= 5:`
`x = int(input())`
`tot = tot + x`
`i = i + 1`
`print(tot)`
- (3) `i = 1`
`tot = 0`
`while i == 5:`
`x = int(input())`
`tot = tot + x`
`i = i + 1`
`print(tot)`
- (4) `i = 0`
`tot = 0`
`while i > 5:`
`x = int(input())`
`tot = tot + x`
`i = i + 1`
`print(tot)`
- (5) `i = 0`
`tot = 0`
`while i <= 5:`
`x = int(input())`
`tot = tot + x`
`i = i + 1`
`print(tot)`

31. Consider the following Python statement:

```
temp = [23,45,2,-2,0][:2:]
```

What would be the value of the variable **temp** after executing the above statement?

- (1) 23,45 (2) [23,45] (3) 23,2 (4) [23,2] (5) [23,2,0]

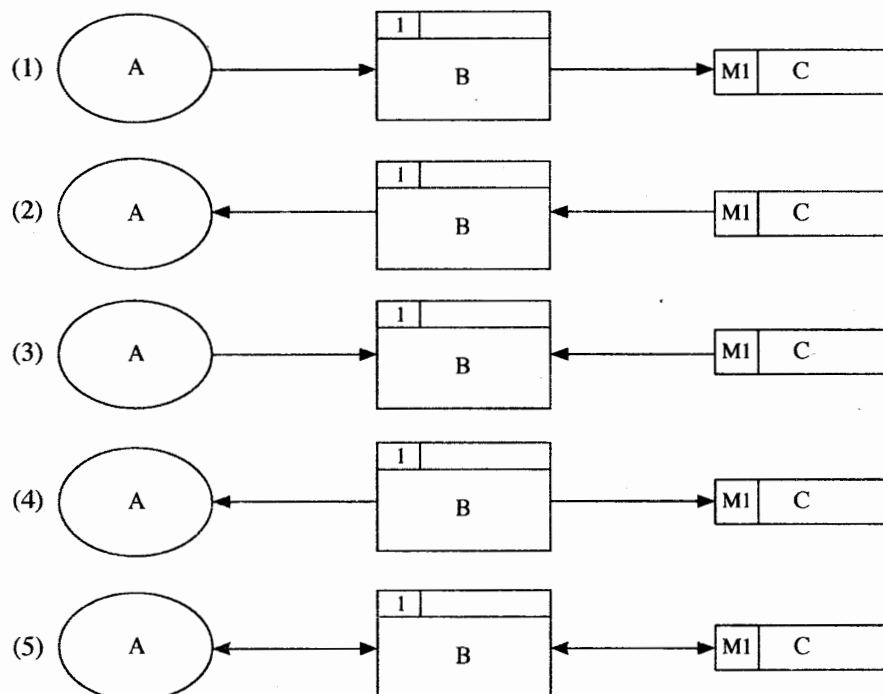
32. Which of the following statements is an example for an essential non-functional requirement of an Internet banking system?

- (1) System shall facilitate its users to open accounts.
 (2) System shall facilitate its users to check account balance.
 (3) System shall use a 256-bit encryption for all communications.
 (4) System should facilitate its users to order cheque books.
 (5) System should be able to render information on all popular web browsers.

33. Which of the following is the most appropriate example for a **manual temporary** data store?

- (1) A file tray (2) A cardboard file (3) A file cabinet
 (4) A data file in a hard disk (5) A temporary data file in a hard disk

34. Which of the following **high-level** data flow diagrams is correct with respect to the rules on data flow modelling?



35. Which of the following statements is correct with respect to a scanner?

- (1) A scanner is a software which scans a printed document and converts them into digital images.
 (2) A scanner is an output device of a computer.
 (3) The optical character reader (OCR) software is an essential component of a scanner.
 (4) A scanner is an input device of a computer.
 (5) Scanners are used to store moving pictures in digital form.

● Consider the following relation to answer questions 36 and 37:

book (BN, title, publisher, version, author1, author2, author3)

where BN is a unique code.

36. Which of the following statements is correct with respect to the above relation?

- (1) It is in zero normal form. (2) It is in the 1st normal form.
 (3) It is in the 2nd normal form. (4) It is in the 3rd normal form.
 (5) Its normal form cannot be decided.

37. Which of the followings can be a candidate key of the above relation?

- (1) BN (2) publisher (3) version (4) author1 (5) author2

38. Which of the followings is correct with respect to the term 'domain' in a relational database?
- (1) It is a set of possible names for a table.
 - (2) It is a set of possible names for an attribute.
 - (3) It is the collection of all possible primary keys.
 - (4) It is the set of all possible values of an attribute.
 - (5) It is the collection of foreign keys.
39. Which of the following Python code segments is syntactically **incorrect**?
- | | | |
|---|--|---|
| (1) if x > 0:
y = 2 | (2) if x > 0:
y = 2
else:
y = 3 | (3) if x > 10:
y = 1
elseif x > 5:
y = 2 |
| (4) if x > 10:
y = 1
elif x > 5:
y = 2
else:
y = 3 | (5) if x > 10:
y = 1
else:
if x > 5:
y = 2
else:
y = 3 | |
40. Consider the following Python program segment:
- ```
d1 = "(1,2,3)"
d2 = (1,2,3)
d3 = [1,2,(1,2)]
```
- What would be the types of variables d1, d2 and d3 respectively after the execution of the program segment?
- (1) tuple, tuple, tuple
  - (2) string, tuple, tuple
  - (3) char, tuple, list
  - (4) string, tuple, list
  - (5) tuple, tuple, list
41. Which of the following Python statements is syntactically **incorrect**?
- (1) a, b = 10, 15
  - (2) a = b = 1, 2
  - (3) a = 1, 2
  - (4) a, b = 2, (3, 5)
  - (5) a, b = 2, 3, 5
42. What will be the value of the variable x, after executing the following Python statement?
- $$x = 3 - 4 * 6 / 3 + 12 / 4 * 3$$
- (1) -5.0
  - (2) -4.0
  - (3) -1.0
  - (4) 4.0
  - (5) 5.0
43. What is the two's complement representation of  $89_{10}$ ?
- (1) 01111011
  - (2) 01011001
  - (3) 10100111
  - (4) 01001001
  - (5) 01011101
44. Which of the followings is correct about open systems?
- (1) All inputs required for an open system is available within the system itself.
  - (2) Open systems cannot interact with other systems.
  - (3) Open systems do not need other systems for its operations.
  - (4) Humans can make open systems.
  - (5) All the natural systems are open systems.
45. Which of the followings is **not** an application of artificial intelligence?
- (1) Self-learning robots
  - (2) Expert advisory systems for professionals
  - (3) Smartphones
  - (4) Recommender systems on e-commerce platforms
  - (5) Handwriting recognition systems
46. Which of the followings is correct with respect to the output of an SQL statement?
- (1) It generates an error if no data is available in the tables referred in the SQL statement.
  - (2) It is always a table.
  - (3) The order of the attributes in the output should be the same as the order of attributes in the table definition.
  - (4) Outputs cannot be produced if the primary keys are not defined.
  - (5) Names of the attributes in the output should be the same as the names in the table definition.

47. The length of an attribute defined using a Data Definition Language (DDL) statement is a/an ..... constraint.

Which of the followings is the most appropriate to fill the blank in the above statement?

- (1) primary key (2) foreign key (3) null value (4) domain (5) application

48. Consider the following table in a relational database:

| student | name       | telephone  | zscore |
|---------|------------|------------|--------|
| S0001   | Dananjaya  | 0711118337 | 1.8    |
| S0002   | Saluka     | 0712227447 | 1.9    |
| S0003   | Upul       | 0713333882 | 2.0    |
| S0004   | Priyankara | 0714445225 | 1.9    |
| S0005   | Supun      | 0715556446 | 2.1    |

What is the minimum number of SQL statements required to update all the values of the attribute zscore in the above table to 2.1?

- (1) 1 (2) 2 (3) 3 (4) 4 (5) 5

49. Consider the following statements:

A - Software Agents are computer programs.

B - Some computer viruses could be considered as software agents.

C - All software agents have user interfaces.

Which of the above statements is/are correct?

- (1) A only (2) A and B only (3) A and C only  
(4) B and C only (5) All A, B and C

50. Which of the following Python functions is syntactically **incorrect**?

- (1) `def fun(x,y):`  
    `return x`
- (2) `def fun():`  
    `. return 5`
- (3) `def fun(x,y):`  
    `pass`
- (4) `def fun:`  
    `return 5`
- (5) `def fun(x,y=5):`  
    `return y,x`

\* \* \*